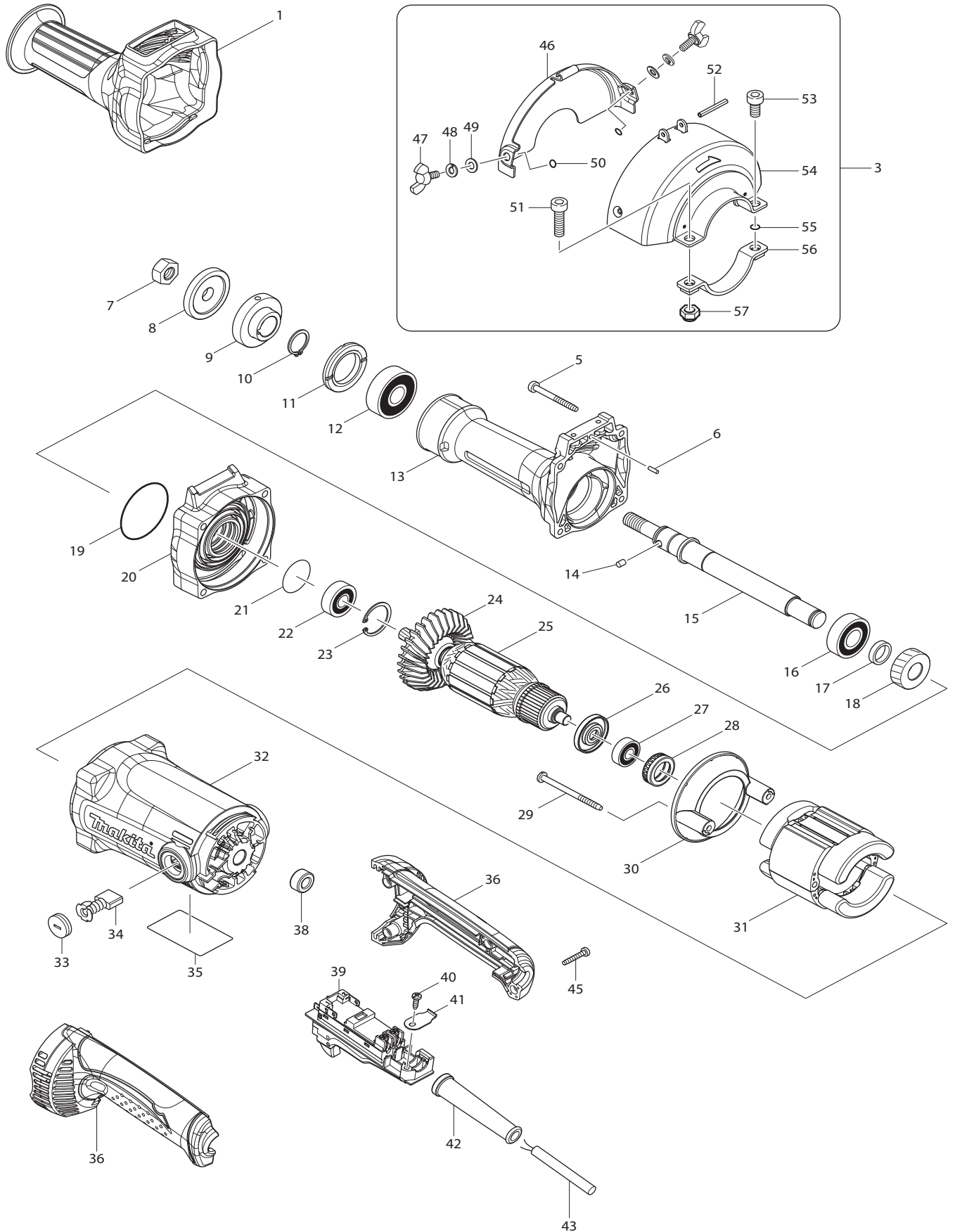




01 - 2013
GS5000
5" STRAIGHT GRINDER



Item No	Type	Ref	Part No	Description	Qty	Unit
1			424549-0	INSULATION COVER	1	PC.
5			266046-8	TAPPING SCREW 5X50	4	PC.
6			256180-2	PIN 3	1	PC.
7			252041-4	HEX. NUT 5/8-24	1	PC.
8			224459-9	OUTER FLANGE 50 A	1	PC.
9			224457-3	INNER FLANGE 50	1	PC.
10			961060-6	RETAINING RING S-20	1	PC.
11			285824-7	BEARING RETAINER 31-48	1	PC.
12			211306-3	BALL BEARING 6204LLB	1	PC.
13			318961-3	GEAR HOUSING	1	PC.
14			268161-4	PIN 5	1	PC.
15			326250-2	SPINDLE A	1	PC.
16			211256-2	BALL BEARING 6203LLB	1	PC.
17			257253-4	RING 17	1	PC.
18			227766-9	HELICAL GEAR 47	1	PC.
19			213656-2	O RING 53	1	PC.
20			318962-1	GEAR HOUSING COVER	1	PC.
21			213487-9	O RING 31	1	PC.
22			211129-9	BALL BEARING 6201DDW	1	PC.
23			962151-6	RETAINING RING R-32	1	PC.
24			240143-8	FAN 80	1	PC.
25			517886-0	ARMATURE ASS'Y 115V	1	PC.
25		INC.		ITEM 24,26,27		
26			681657-2	INSULATION WASHER	1	PC.
27			210059-1	BALL BEARING 6000DDW	1	PC.
28			421490-8	RUBBER RING 26	1	PC.
29			266038-7	TAPPING SCREW 5X70	2	PC.
30			451480-7	BAFFLE PLATE	1	PC.
31			523421-4	FIELD ASSY 115V	1	PC.
31		INC.	654098-5	RECEPTACLE	2	PC.
32			140222-1	MOTOR HOUSING COMPLETE	1	PC.
32		INC.	643707-1	BRUSH HOLDER	2	PC.
33			643700-5	BRUSH HOLDER CAP 7-18	2	PC.
34			194992-4	CARBON BRUSH CB-204 2PC/SET W/ORIGIN	1	SET
35			814H98-7	NAME PLATE F/GS5000	1	PC.
36			188848-1	HANDLE SET	1	SET
39			650102-8	SWITCH TG08-1200-011	1	PC.
40			266192-7	TAPPING SCREW 4X14	1	PC.
41			687169-3	STRAIN RELIEF	1	PC.
42			682503-2	CORD GUARD 8-90	1	PC.
43			664064-4	CORD W/PLUG 2P-18-2.5M, SJ	1	PC.
45			265999-8	TAPPING SCREW 4X25	4	PC.
46			346654-2	SUPPORT COVER 125K	1	PC.
47			924316-8	WING BOLT M6X15	2	PC.
48			942151-2	SPRING WASHER 6	2	PC.
49			941151-9	FLAT WASHER 6	2	PC.
50			213005-3	O RING 5	2	PC.
51			922452-4	HEX. SOCKET HEAD BOLT M8X30	1	PC.
52			951125-2	SPRING PIN 4-32	1	PC.
53			922422-3	HEX. SOCKET HEAD BOLT M8X16	1	PC.
54			165713-1	WHEEL COVER 5"	1	PC.

Item No	Type	Ref	Part No	Description	Qty	Unit
55			213017-6	O RING 6	1	PC.
56			346656-8	TIGHT BAND	1	PC.
57			252105-4	HEX. LOCK NUT M8-13	1	PC.
D01			654208-4	RECEPTACLE	2	PC.
D02			654551-1	CONNECTOR	2	PC.
C01			874700-6	CARTON FOR GS5000	1	PC.
100	Opt.		342004-9	HANGER F/GEAR HOUSING	1	PC.
101	Opt.		911221-8	PAN HEAD SCREW M5X16 F/HANGER	2	PC.
<u>ACCESSORIES</u>			- See Catalogue or visit www.makita.ca for more accessories -			
A01			410047-0	WRENCH HOLDER 5.6	1	PC.
A02			781030-7	WRENCH 24	1	PC.
A03			783204-6	HEX. WRENCH 6	1	PC.
A04	Opt.		B-28852	5" STRAIGHT GRINDER WHEEL 24G	1	PC.
A05			123199-5	WHEEL COVER ASSY 5"	1	PC.
A05		INC.		ITEM 46-57		
A06	Opt.		195059-1	DUST COVER ATTACHMENT SET	1	SET
A07	Opt.		B-28868	5" STRAIGHT GRINDER WHEEL 36G	1	PC.